

Model:  
**TUC-24F-HC**

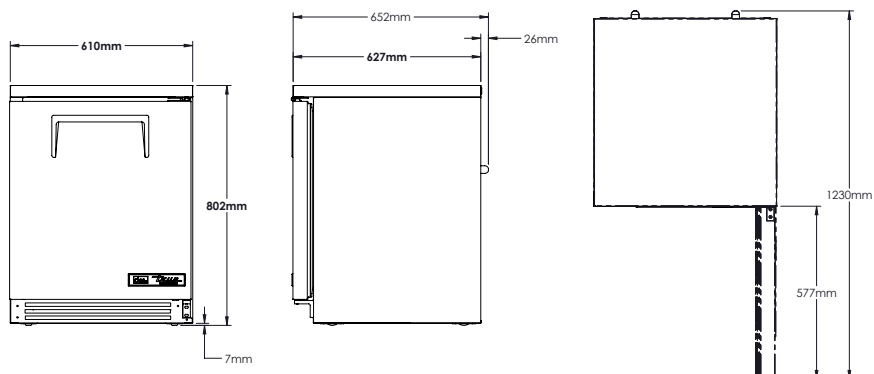
**Undercounter:**  
*Solid Door Freezer with Hydrocarbon Refrigerant*



## TUC-24F-HC

- ▶ True's undercounter units are designed with enduring quality that protects your long term investment.
- ▶ Designed using the highest quality materials and components to provide the user with colder product temperatures, lower utility costs, exceptional food safety and the best value in today's food service marketplace.
- ▶ Factory engineered system using environmentally friendly R290 hydrocarbon refrigerant maintains temperature of -23.3°C.
- ▶ Exterior - stainless steel front, top and ends. GalFan coated steel back.
- ▶ Interior - NSF approved, clear coated aluminum liner. Stainless steel floor with coved corners.
- ▶ Front breathing
- ▶ Reversible Door hinging
- ▶ Locks Standard
- ▶ Adjustable, heavy duty PVC coated shelves.
- ▶ Foamed-in-place using a high density, environmentally friendly polyurethane insulation.

## PLAN VIEW



## ROUGH-IN DATA

Voltage: 220-240V/50-60Hz

Specifications subject to change without notice.  
Chart dimensions rounded up to the next whole millimeter (inches rounded up to the next 1/8").

Model	Model Type	Doors/ Drawers	Shelves	Cabinet Dimensions (mm)			Net Volumes (litres)	EEC	EEI	24 hr/ Energy Consumption (kWh)	Annual Energy Consumption (kWh)	Crated Weight (kg)
				W	D †	H						
TUC-24F-HC	Counter Frozen	1/0	2	610	627	802	94	C	44,4	3,56	1300	75

† Depth does not include 26 mm for rear bumpers.  
Test Standard: EN16825 - Climate Class 5 (40°C, 40% relative humidity).