

Model:
TUC-27F-D-2-HC

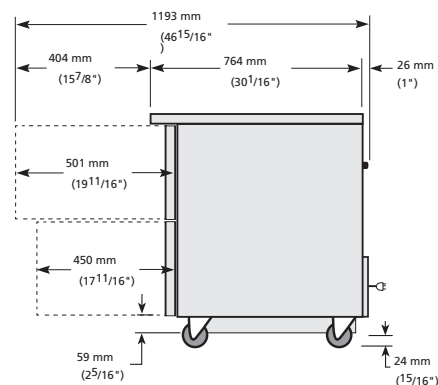
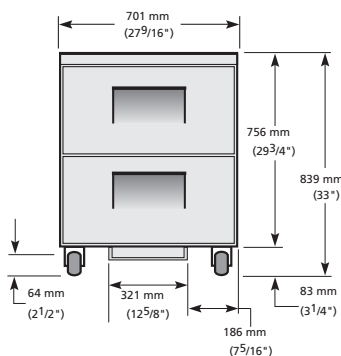
Undercounter:
Drawered Freezer with Hydrocarbon Refrigerant



TUC-27F-D-2-HC

- ▶ True's undercounter units are designed with enduring quality that protects your long term investment.
- ▶ Factory engineered system using environmentally friendly R290 hydro carbon refrigerant maintains temperature of -23.3°C.
- ▶ Exterior - stainless steel front, top and ends. GalFan coated steel back.
- ▶ Interior - NSF approved, clear coated aluminum liner. Stainless steel floor with coved corners.
- ▶ Front breathing.
- ▶ Each drawer accommodates one (1) 1/1GN (W 530mm x D 325 x H 150 mm) food pan (sold separately).
- ▶ Foamed-in-place using a high density, environmentally friendly polyurethane insulation.

PLAN VIEW



ROUGH-IN DATA

Voltage: 220-240V/50-60Hz

Specifications subject to change without notice.
Chart dimensions rounded up to the next whole millimeter (inches rounded up to the next 1/8").

Model	Model Type	Doors/ Drawers	Shelves	Cabinet Dimensions (mm)			Net Volumes (litres)	EEC	EEI	24 hr/ Energy Consumption (kWh)	Annual Energy Consumption (kWh)	Crated Weight (kg)
				W	D †	H						
TUC-27F-D-2-HC	Counter Frozen	0/2	—	702	766	839	143	D	55,5	4,03	1472	100

† Depth does not include 26 mm for rear bumpers.
Test Standard: EN16825 - Climate Class 5 (40°C, 40% relative humidity).