



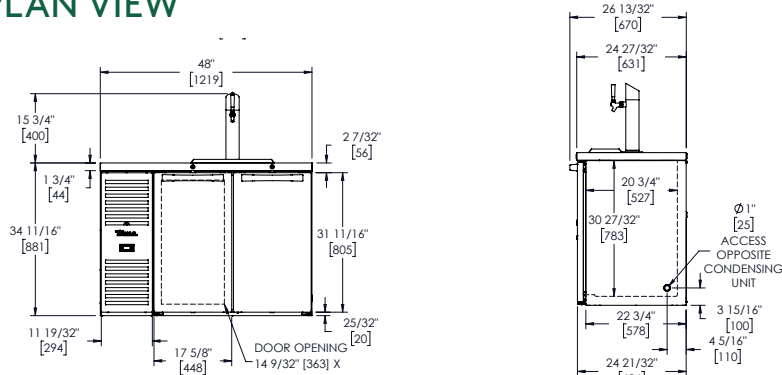
FEATURES

- ▶ R290 Hydrocarbon refrigerant.
- ▶ Temperatures of 33°F to 38°F (.5°C to 3.3°C)
- ▶ Exterior: Black powder coated steel with stainless steel countertop
- ▶ Interior: Stainless steel
- ▶ RCU Technology
- ▶ White LED interior lighting
- ▶ NSF/ANSI standard 7 compliant for the storage and/or display of packaged or bottled product
- ▶ Three (3) interior access ports
- ▶ Field reversible doors
- ▶ Zero clearance / Front air intake / front air discharge
- ▶ Electronic temperature control with exterior digital display
- ▶ 381mm surface mounted drip tray trough
- ▶ 77mm diameter insulated column with single faucet and 2-way manifold

OPTIONS

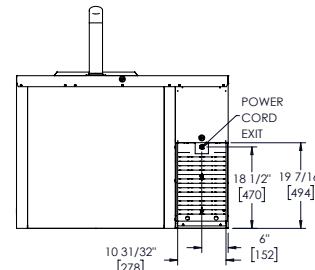
- ▶ TruLumina® 14-Color LED lighting
- ▶ Castors: 23 mm rollers, 51mm, 77mm, 102mm, 127mm castors
- ▶ 153mm legs
- ▶ 153mm seismic legs
- ▶ Optional draft towers available (contact factory)
- ▶ Alternative temperature zones available (contact factory)
- ▶ Right side compressor

PLAN VIEW

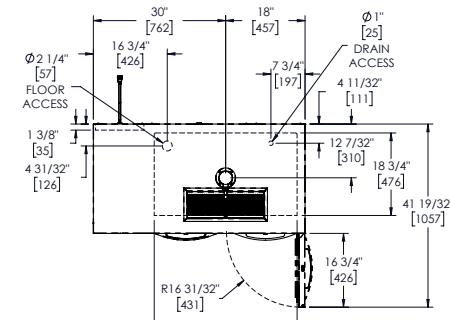


FRONT VIEW

SIDE VIEW



BACK VIEW



TOP VIEW

ROUGH-IN DATA

Specifications subject to change without notice. Chart dimensions rounded up to the nearest whole millimeter

Model	Doors	Shelves	Barrel Capacity					Cabinet Dimensions (mm)			220-240V/50-60Hz		Crated Weight (kg)
			Home Brew Barrels	1/6 Barrels	Slim 1/4 Barrels	1/4 Barrels	1/2 Barrels	W	D†	H*	HP	Amps	
TDR48-RISZ1-L-B-SS-2	2	-	6	6	3	0	0	1219	631	881	1/3	1.3	-

† Depth does not include 35 mm for door handles. * Height does not include 7 mm for leg levelers

* Height does not include 400mm for draft tower.