

Model:  
**T-23DT-HC**

**T-Series:**  
*Reach-In Solid Swing Door Dual Temperature Refrigerator/Freezer with Hydrocarbon Refrigerant*



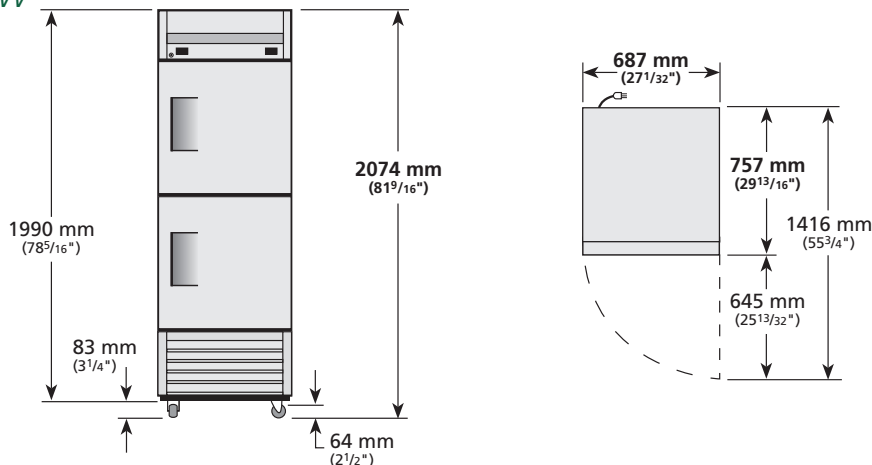
## T-23DT-HC

- ▶ Designed using the highest quality materials and components to provide the user with colder product temperatures, lower utility costs, exceptional food safety and the best value in today's food service marketplace.
- ▶ Refrigerator located in top section; freezer on bottom.
- ▶ Factory engineered, self-contained, capillary tube system using environmentally friendly R290 hydro carbon refrigerant that has zero (0) ozone depletion potential (ODP), & three (3) global warming potential (GWP).
- ▶ High capacity, factory balanced refrigeration systems that maintains cabinet refrigerator temperatures of 0.5°C to 3.3°C and freezer temperatures of -23.3°C.
- ▶ Stainless steel solid doors and front. The very finest stainless with higher tensile strength for fewer dents and scratches.
- ▶ Adjustable, heavy duty PVC coated shelves.
- ▶ Positive seal self-closing doors. Lifetime guaranteed door hinges and torsion type closure system.

### Bottom mounted units feature:

- ▶ "No stoop" lower shelf.
- ▶ Storage on top of cabinet.
- ▶ Compressors perform in coolest, most grease free area of kitchen.
- ▶ Easily accessible condenser coil for cleaning.

### PLAN VIEW



### ROUGH-IN DATA

Voltage: 220-240V/50-60Hz

Specifications subject to change without notice.  
Chart dimensions rounded up to the next whole millimeter (inches rounded up to the next 1/8").

Model	Doors	Shelves	Cabinet Dimensions (mm)			Net Volume (liters)		HP		Amps	Climate Class	24 hr/ Energy Consumption (kWh)	Annual Energy Consumption (kWh)	Crated Weight (kg)
			W	D	H	Chilled	Frozen	Ref.	Frz					
T-23DT-HC	2	4	687	757	2074	217.7	137.7	1/6	1/3	2.3	5	5.042	1840	152