

UBH 2250

Storage bin 1068 kg

Item #:
Project:
Quantity:



FEATURES

- Ice mouth easily removable.
- Polyethylene bin interior, is sanitary and easy to clean, and resists scratches and scuffs from ice scoops.
- Polyurethane Insulation, high density.
- Stainless steel bin exterior, and door in rotocast plastic.
- Hinges that hold the mouth ice door in open position.
- Lower water discharge can be rotated 360 degrees.

UNIT DATA

Size (W x D x H) 1835 x 1468 x 1292 mm

Net weight 272 kg

SHIPPING DATA

Carton (W x D x H) 2260 x 1570 x 1440 mm

Weight 296 kg

Bin	Compatibility	Ice Machine
UBH 2250	●	MFN 86-88
	●	MF 66- 68-69-86-88
	●	MAR 56-76-106-126-206-306
	●	MAR 78-108-128-208-308

LEGEND:

- ✓ : Perfect combination between ice maker and bin
 - : Ice chute cut-out performed upon installation
- CBTxxxxxxxx : need additional bin top

Certifications:



IMPORTANT NOTICE:
Models and specifications are subject to change without notice. This spec sheet is meant for commercial purpose only. For technical documentation please refer to our service manuals.

Download our free **App Scotsman Ice**
Apple store
Google play
Windows store



www.scotsman-ice.it
www.scotsman-ice.com

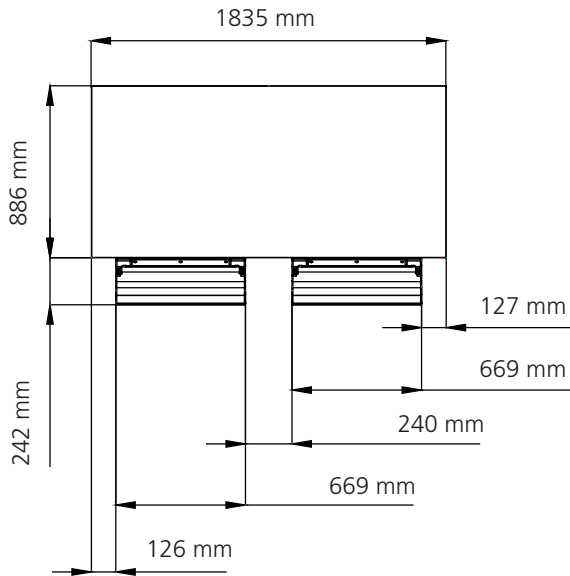
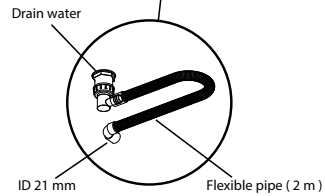
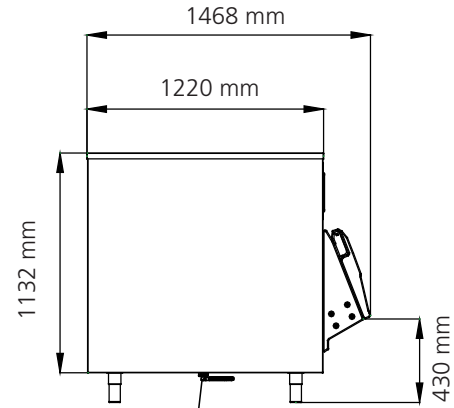
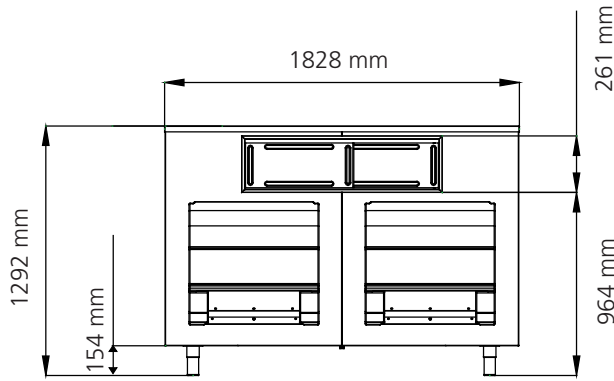
Storage bin 1068 kg

UBH 2250

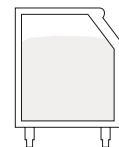
Storage bin 1068 kg

Item #:
Project:
Quantity:

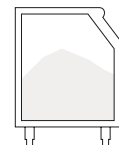
Storage bin 1068 kg



Ice capacity (application)*	Ice capacity (AHRI)**	Internal volume
kg	kg	m ³
1068	838	2.178



(* Application capacity is calculated on 90% of total volume x 545 kg/m³



(**) AHRI capacity is calculated on 80% of total volume x 481 kg/m³