

# UBH 1600

Storage bin 812 kg

Item #:
Project:
Quantity:



### FEATURES

- Upright, Single door, Ice Storage Bin. New sleek, contemporary styling. Stainless steel exterior, frame, sides, top, back and bottom.
- Heavy-duty welded construction. Pre-cut top panel, to accommodate multiple Scotsman icemakers.
- Ice is stored in Polyethylene bin interior, sanitary and easy to clean, resistant to scratches and scuffs from ice scoops, paddles and shovels.
- Ice flows from ice machine, to storage, to bin door opening in first in - first out fashion, for assured ice freshness. Convenient multi position ice deflector prevents ice spillage and assists during ice loading operations.
- Bin door is spring loaded for safe usage and tight seal of storage compartment. Made in durable rotocast plastic, is light yet durable, withstanding typical rough handling of industrial or food retail environments.
- High density, non-corroding Polyethylene bin liner, is designed with easy-to-clean rounded corners, and resists scratches and scuffs from ice scoops.
- Polyurethane Insulation assures long periods of ice storage, reducing ice melt. Sliding polyethylene inspection windows are handy for visual control and initial paddle operation.
- Load resistant, stainless steel adjustable legs, with flanged feet. Storage bin base flexible drain hose conveniently rotates at 360° radius to allow ease-of-connection with any floor water drain position.

### UNIT DATA

Size (W x D x H) 1530 x 1128 x 1731 mm

Net weight 206 kg

### SHIPPING DATA

Carton (W x D x H) 1570 x 1180 x 1863 mm

Weight 230 kg

Bin	Compatibility	Ice Machine
UBH 1600	●	MXG 428-437-438-638-938
	●	C 630-1030
	●	C 1448-1848-2148
	●	MV 606-806-1006
	●	NW 1008-1408
	●	N 622-922
	●	MFN 56
	●	MF 56-58-59-66-68-69
	●	MAR 56-76-106-126-206-306
	●	MAR 78-108-128-208-308

### LEGEND:

- ✓ : Perfect combination between ice maker and bin
  - : Ice chute cut-out performed upon installation
- CBTxxxxxxxx : need additional bin top

Certifications:



**IMPORTANT NOTICE:**  
Models and specifications are subject to change without notice. This spec sheet is meant for commercial purpose only. For technical documentation please refer to our service manuals.

Download our free **App Scotsman Ice**  
[Apple store](#)  
[Google play](#)  
[Windows store](#)



[www.scotsman-ice.it](http://www.scotsman-ice.it)  
[www.scotsman-ice.com](http://www.scotsman-ice.com)

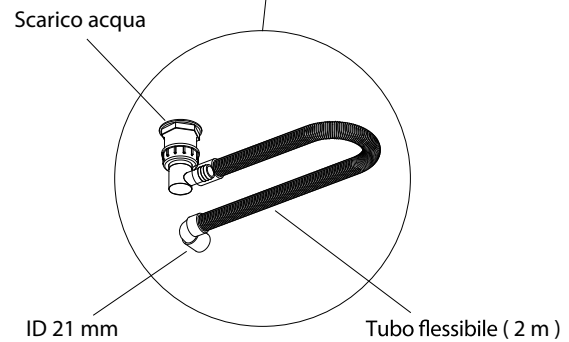
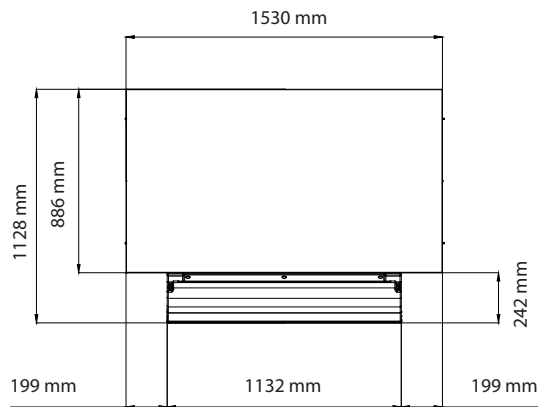
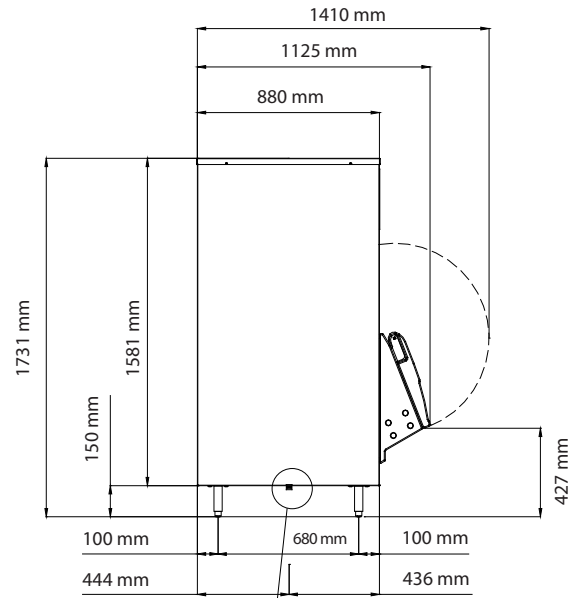
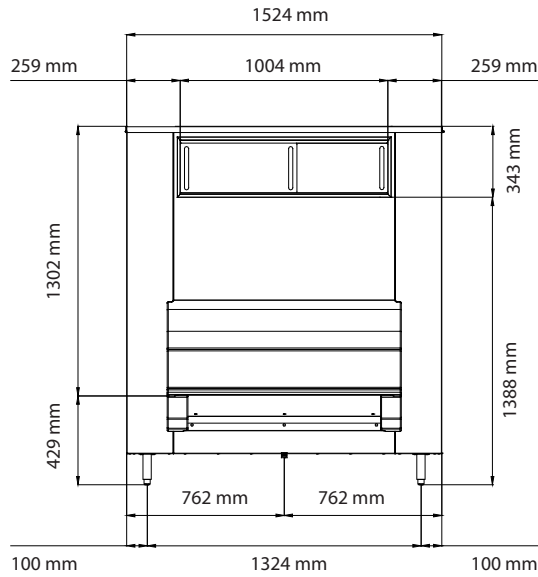
Storage bin 812 kg

# UBH 1600

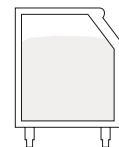
Storage bin 812 kg

Item #:
Project:
Quantity:

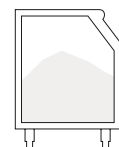
Storage bin 812 kg



Ice capacity (application)*	Ice capacity (AHRI)**	Internal volume
kg	kg	m <sup>3</sup>
812	637	1.655



(\* Application capacity is calculated on 90% of total volume x 545 kg/m<sup>3</sup>



(\*\*) AHRI capacity is calculated on 80% of total volume x 481 kg/m<sup>3</sup>