



HPU150/LPU150

Proudly made in the UK, Precision's durable all stainless steel under counters have been designed to provide medium duty under counter storage solutions for commercial kitchens all around the world.

These under counters are available in both refrigerated and deep freeze versions and are perfect for space optimisation, in even the smallest of kitchens.

Key Features:

- Stainless Steel Interior & Exterior
- Front Venting Refrigeration System
- 32°C Ambient Rated Product
- R600a Refrigerant
- Zero ODP Injected Polyurethane Insulation
- +1 / 4°C Refrigerator Temperature Range (HPU) -18 / -22°C Freezer Temperature Range (LPU)
- Electronic Controller With Easy Read LCD Screen
- Off Cycle Defrost - Refrigerator
- Manual Defrost - Freezer
- Door / Drawer Locks Fitted As Standard
- Integrated Flush Door Handle
- Adjustable Pilaster Shelving System - Refrigerator
- Fixed Plate Shelves - Freezer
- Hi / Lo Audio Visual Temperature Alarms
- Adjustable Levelling Feet At Front
- Rollers At Rear For Easy Positioning
- Waste Heat Recovery Condensate Vaporiser System (HPU)
- Requires Small Ventilation Gap Above Unit

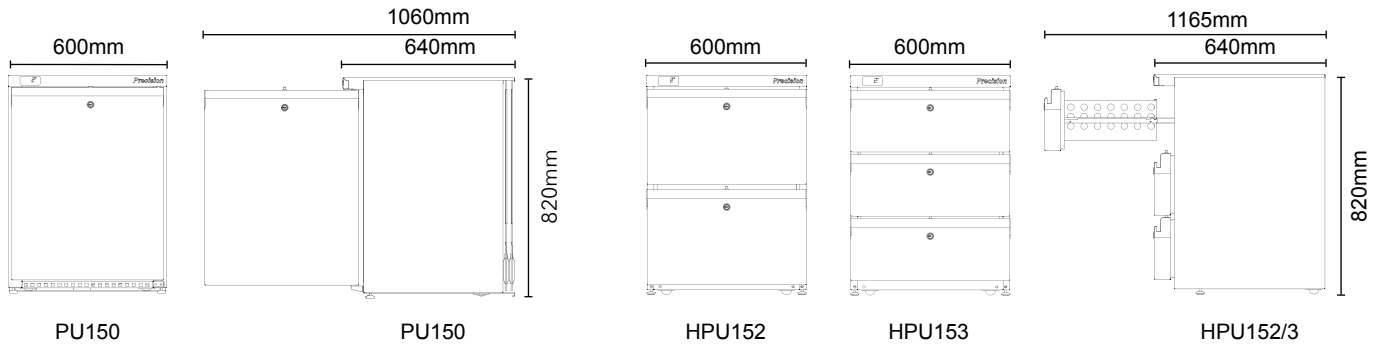


HPU152

HPU153

Options:

- Bank of 2 Drawers - (200/200mm) - HPU152
- Bank of 3 Drawers - (150/150/150mm) - HPU153
- Extra Shelves / Slides
- Extra Shelf Clips
- Castors - Increases Height By 62mm
- Stacking Kit
- Left Hand Hinged Door



Model	HPU150	HPU152	HPU153	LPU150
Type	Refrigerator	Refrigerator	Refrigerator	Freezer
Material	ST/ST Int/Ext	ST/ST Int/Ext	ST/ST Int/Ext	ST/ST Int/Ext
Shelf / Drawer Size	480 x 360 480 x 310	N/A	N/A	495 x 425
Number of Shelves	2	N/A	N/A	2
Max Number of Shelves	2	N/A	N/A	2
Temperature Range	+1 / 4°C	+1 / 4°C	+1 / 4°C	-18 / -22°C
Exterior WxDxH (mm)	600x640x820	600x640x820	600x640x820	600x640x820
Internal Drawer Dimensions (mm)	N/A	430 x 340 x 270D	430 x 340 x 150D	N/A
Net Usable Volume (litres)	77.5	78.9	65.29	76.7
Weight (KG)	62	70	75	60
Refrigerant / GWP	R600a / 3	R600a / 3	R600a / 3	R600a / 3
Refrigeration Watts (+45°C Condensing)	202	202	202	112
Evaporating Temp	-19°C	-19°C	-19°C	-30°C
Heat Rejection Watts*	303	303	303	168
Noise Output (dBa)	55	54	55	50
Power	230 / 50 / 1	230 / 50 / 1	230 / 50 / 1	230 / 50 / 1
Running Amps	0.55	0.54	0.51	0.51
Total Electrical Load - kW	0.13	0.12	0.12	0.12
Energy Consumption / 24hrs - kWh**	1.17	1.3	1.43	1.77
Energy Consumption / Year (AEC) - kWh**	427	475	522	646
Energy Efficiency Class**	A	A	B	A

* Heat Rejection is taken at the listed evaporating and condensing condition. Watts is calculated by taking the total power of the cabinet.

** Tested to BS EN ISO 22041

We are constantly innovating and improving our products. Please always check our website for the most up-to-date version of this spec sheet