



## UFP0388 Flake Ice Machines

Model

UFP0388A



Model UFP0388A  
Flake Ice Machine

### Standard Features

- Up to 175 kg (386 lbs) daily flake ice production.
- Up to 40 kg (88 lbs) ice storage capacity.
- Flake ice is perfect for food display, salad bars, and cold therapy/healthcare.
- High load maintenance free bearings for enhanced reliability.
- Heavy duty stainless steel cabinet resists corrosion.
- Easy access door, slides up & out of the way.



### Standard Equipment

#### UFP0388A

Ice Scoop, 6" Bin Legs, Alternate Low Profile Legs Standard Legs Adjustable from 4-1/2" to 6" Low Profile Non-Adjustable 1/4"

UFP0388 Flake Ice Machines

### Ice Machine Electric

220-240/50/1 ice machines are factory pre-wired with a 6' (180 cm) power cord with no plug.

**Ave. power consumption:** 700 W

**Total amperage:** 3.3 amps

**Maximum fuse size:** 10 amps.

HACR-type circuit breakers can be used in place of fuses

### Specifications

#### Condenser Heat of Rejection (BTU per hour):

2,181 (average)

#### Compressor:

Nominal rating: 3/4 HP

#### Refrigerant:

R290

#### Operating Limits:

- Ambient Temperature Range: 50°-110°F (10°-43°C)
- Water Temperature Range: 37°-90°F (3°-32°C)
- Water Pressure Ice Maker Water In: Min. 14 psi (1 bar) Max. 84 psi (6 bar)

### Ice Shape

Flake ice is small hard bits of ice ideally suited for presentation applications.



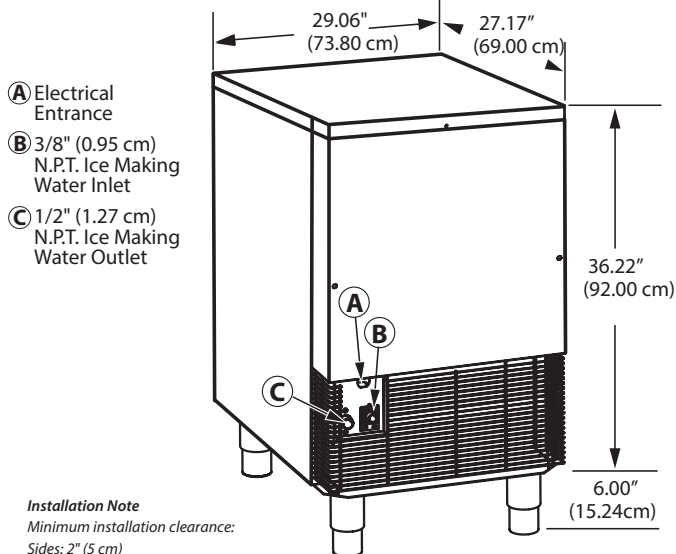
Ice shown actual size



COMPANY WITH QUALITY SYSTEM



### UFP0388



**Installation Note**  
 Minimum installation clearance:  
 Sides: 2" (5 cm)  
 Back: 8" (20 cm)

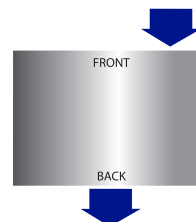
### Space-Saving Designs



UFP0388	
Height	42.22" 107.24 cm
Width	29.06" 73.80 cm
Depth	27.17" 69.00 cm
Bin Storage	88 lbs. 40 kgs

Height includes adjustable bin legs 4.50" to 6.00"  
 (11.43 cm to 15.24 cm) set at 6.00" (15.24 cm).

### Air Flow Overhead View



Air-cooled Ice Machine	Model	Ice Shape	Ice Production 24 Hours		Power kWh/100 lbs @ 90° Air/70°F 32° Air/21°C	Potable Water Usage (100 lbs./ 45.4 kgs of Ice)	Bin Storage	Shipping Weight
			70° Air/50°F Water 21° Air/10°C Water	90° Air/70°F Water 32° Air/21°C Water				
UFP0388A	Flake		337 lbs.	293 lbs.	4.99 kWh	12 gal. 45.4 L	88 lbs. 40 kgs	209 lbs
			153 kgs	133 kgs				95 kg

"A" following model number indicates "Air" condensing unit.

©2018 Manitowoc. Continuing product improvement may necessitate change of specifications without notice.