

UFP0244 Flake Ice Machines



UFP0244 Flake Ice Machines

Model

UFP0244A



Model UFP0244A
Flake Ice Machine

Standard Features

- Up to 125 kg (276 lbs) daily flake ice production.
- Up to 20kg (44 lbs) ice storage capacity.
- Flake ice is perfect for food display, salad bars, and cold therapy/healthcare.
- High load maintenance free bearings for enhanced reliability.
- Heavy duty stainless steel cabinet resists corrosion.
- Easy access door, slides up & out of the way.



Standard Equipment

UFP0244A

Ice Scoop, 6" Bin Legs, Alternate Low Profile Legs Standard Legs Adjustable from 4-1/2" to 6" Low Profile Non-Adjustable 1/4"

Ice Machine Electric

220-240/50/1 ice machines are factory pre-wired with a 6' (180 cm) power cord with no plug.

Ave. power consumption: 470 W

Total ampacity: 2.7 amps

Maximum fuse size: 10 amps.

HACR-type circuit breakers can be used in place of fuses

Specifications

Condenser Heat of Rejection (BTU per hour):

2,865 (average)

Compressor:

Nominal rating: 1/3 HP

Refrigerant:

R290

Operating Limits:

- Ambient Temperature Range: 50°-110°F (10°-43°C)
- Water Temperature Range: 37°-90°F (3°-32°C)
- Water Pressure Ice Maker Water In: Min. 14 psi (1 bar) Max. 84 psi (6 bar)

Ice Shape

Flake ice is small hard bits of ice ideally suited for presentation applications.



Ice shown actual size

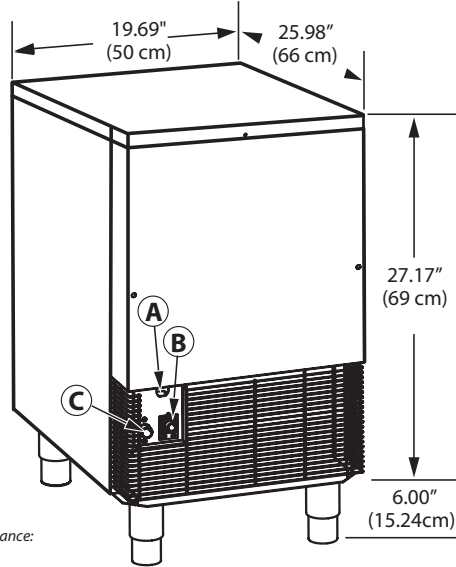


COMPANY WITH
QUALITY SYSTEM



UFP0244

- Ⓐ Electrical Entrance
- Ⓑ 3/8" (0.95 cm) N.P.T. Ice Making Water Inlet
- Ⓒ 1/2" (1.27 cm) N.P.T. Ice Making Water Outlet



Installation Note
 Minimum installation clearance:
 Sides: 2" (5 cm)
 Back: 8" (20 cm)

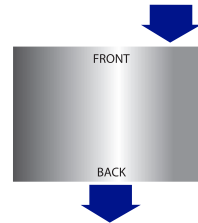
Space-Saving Designs



| UFP0244A | |
|-------------|--------------------|
| Height | 33.17" 84.24 cm |
| Width | 19.69" 50.00 cm |
| Depth | 25.98" 66.00 cm |
| Bin Storage | 44 lbs. 20 kgs |

Height includes adjustable bin legs 4.50" to 6.00"
 (11.43 cm to 15.24 cm) set at 6.00" (15.24 cm).

Air Flow Overhead View



| Air-cooled Ice Machine | Model | Ice Shape | Ice Production 24 Hours | | Power kWh/100 lbs @ 90° Air/70°F 32° Air/21°C | Potable Water Usage (100 lbs./ 45.4 kgs of Ice) | Bin Storage | Shipping Weight |
|------------------------|-------|-----------|---------------------------------------|---------------------------------------|---|---|-------------------|------------------|
| | | | 70° Air/50°F Water 21° Air/10°C Water | 90° Air/70°F Water 32° Air/21°C Water | | | | |
| UFP0244A | Flake | | 249 lbs. | 205 lbs. | 4.99 kWh | 12 gal. 45.4 L | 44 lbs. 20 kgs | 148 lbs 67 kg |
| | | | 113 kgs | 93 kgs | | | | |

"A" following model number indicates "Air" condensing unit.