

50Hz

iT1900 Ice Cube Machine

iT1900 Ice Cube Machine

Models

- IRT1900A
 IDT-1900A
 IYT1900A
 IDT1900N



Indigo NXT Series iT1900 Ice Machine on D970 Bin

Designed for operators who know that ice is critical to their business, the Indigo NXT Series ice machine's preventative diagnostics continually monitor itself for reliable ice production. Improvements in cleanability and programmability make your ice machine easy to own and less expensive to operate.

- **New levels of Performance** – Showcasing an average of 13% lower energy consumption and a 10% reduction in in potable water usage. This translates into lower cost of ownership over the life of your machine.
- **easyTouch® Display** - New icon based touch screen takes the guess work out of owning and operating an ice machine.
- **Multiple Language Capability** - The easyTouch display is available in multiple languages selected in the initial start-up installation Wizard.
- **Programmable Ice Production** – Now its super easy to program your ice machine to be off at certain times of the day to save money with fluctuating electrical rates. Also programmable by daily ice production volume.
- **Easy to Clean Foodzone** – Easy Access front door panel. Removable water-trough, distribution tube, curtain, and sensing probes for fast and efficient cleaning. Select components made with AlphaSan® antimicrobial.
- **Intelligent Diagnostics** – Provides 24 hour preventative maintenance and diagnostic feedback for trouble free operation.
- **Acoustical Ice Sensing Probe** – Unique patented technology allows for reliable operation in challenging water conditions and environments
- **DuraTech® Exterior** – Provides superior corrosion resistant above stainless steel. Innovative clear-coat resists fingerprints and dirt making it easier to keep clean.
- **Available LuminIce II Virus and Bacteria Inhibitor**- Controls viruses, bacteria, mold and yeast within the foodzone to keep the machine clean longer. A new sanitation icon lets you know the operational status.
- **Active Sense** – insures consistent ice harvest in all environmental conditions. This software solution works in conjunction with the acoustical ice sensing probe improving reliability and performance.

Ice Machine Electric

230/ 50/1

Minimum circuit ampacity:

Air-cooled: 16.5 *1ph*
Remote-cooled: 15.8 *1ph*

Maximum fuse size:

Air-cooled: 25 *1ph*
Remote-cooled: 25 *1ph*

Machine Power Load:

Max: 2,978 W
Average: 2,565 W



Specification

BTU Per Hour:

26,100 (average),
and 30,500 (peak)

Refrigerant:

R-410 CFC-free

Operating Limits:

- Ambient Temperature Range: 40° to 110° F (4.4° to 43.3° C)
Water Temperature Range: 40° to 90° F (4.4° to 32.2° C)
- Water Pressure Ice Maker Water In:
Min. 20 psi (137.9 kPA)
Max. 80 psi (551.1 kPA)

Ice Shape



Half Dice
3/8" x 1 1/8" x 7/8"
(.95 x 2.86 x 2.22 cm)
Cube weight 5.7 g



Dice
7/8" x 7/8" x 7/8"
(2.22 x 2.22 x 2.22 cm)
Cube weight 8.5 g



Regular
1 1/8" x 1 1/8" x 7/8"
(2.86 x 2.86 x 2.22 cm)
Cube weight 14.2 g



COMPANY WITH
QUALITY SYSTEM

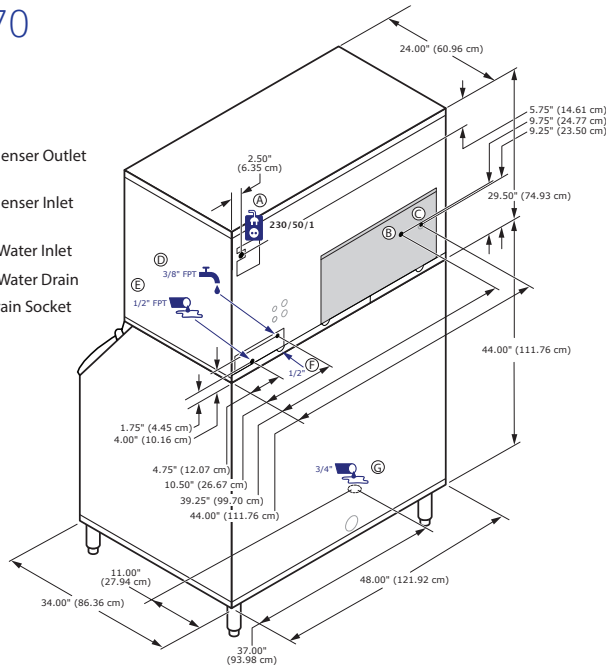
6639A 11/19



50Hz

iT1900 on D970 Storage Bin

- Ⓐ Electrical Entrance (2) Options
- Ⓑ 1/2" (1.27 cm) F.P.T. Water Condenser Outlet (water-cooled units)
- Ⓒ 3/8" (0.95 cm) F.P.T. Water Condenser Inlet (water-cooled units)
- Ⓓ 3/8" (0.95 cm) F.P.T. Ice Making Water Inlet
- Ⓔ 1/2" (1.27 cm) F.P.T. Ice Making Water Drain
- Ⓕ 1/2" (1.27 cm) Auxillary Base Drain Socket
- Ⓖ 3/4" (1.91 cm) Bin Drain



Installation Note
Air Cooled clearance:
 Top: 24" (61.0 cm)
 Sides: 24" (61.0 cm)
 Back: 5" (30.5 cm)

Water Cooled clearance:
 Top/Sides: 8" (20.3 cm)
 Back: 5" (12.7 cm)

Space-Saving Design



iT1900 D970	
Height	79.50" 201.90 cm
Width	48.00" 121.92 cm
Depth	34.00" 86.30 cm
Bin Storage	710lbs 322.2 kgs

Height includes adjustable bin legs 6.00" to 8.00", (15.24 to 20.32 cm) set at 6.00" (15.24 cm).

Specification

	Model	Ice Shape	Ice Production 24 Hours		Power Usage kWh 45.4 kg / 100 lbs @ 32° Air / 21° C Water 90° Air / 70° F Water	Potable Water Usage/100 lbs. 45.4 kgs. of Ice
			21° Air / 10° C Water 70° Air / 50° F Water	32° Air / 21° C Water 90° Air / 70° F Water		
AIR-COOLED	IRT1900A	regular	1,700 lbs.	1,275 lbs.	4.51	20 Gal. 75.7 L
			771 kgs	578 kgs		
	IDT1900A	dice	1,805 lbs.	1,384 lbs.	4.47	20 Gal. 75.7 L
AIR-COOLED	IYT1900A	half-dice	1,805 lbs.	1,430 lbs.	4.32	20 Gal. 75.7 L
			819 kgs	649 kgs		
REMOTE-COOLED	IDT1900N	dice	1,755 lbs.	1,523 lbs.	3.91	20 Gal. 75.7 L
			796 kgs	691 kgs		

Order separately: Ice storage bin for all units, line-set and remote condenser unit JCT1500 for remote cooled units.
 This product is hermetically sealed and contains fluorinated greenhouse gas R410A

Accessories

LumiIce® II Virus and Bacteria Inhibitor
 controls viruses and bacteria inside the ice machine.



External Scoop holder

Protect the ice scoop with the NSF approved versatile scoop holder.



Arctic Pure® Water Filters

Reduces sediment and chlorine odors for better tasting ice.



Manitowoc reserves the right to make changes to the design or specifications without prior notice