

## CNP0200A

### Countertop Nugget Ice Maker & Dispenser

#### Models

CNP0200A-251



CNP0200

- **Bite-sized nugget** boasts 85% ice content with only 15% water offering one of the best nugget ratios for maximum cooling and minimal drink dilution.
- **Up to 88 kgs (195 lbs) standard daily ice production** including ice and water content.
- **Bin Storage** of 5kg (11 lbs)
- **Stainless steel front panel** for easy cleaning and reduced hardwater staining in the dispense area.
- **Only 396mm (15.6") wide** by 708 mm (27.87") deep by 871 mm (34.29") tall
- **Trouble-free ice dispensing.** Simply place cup under chute and press button to activate.
- **Removable and cleanable water drip basin**
- **Hidden connections** for better aesthetics



#### Ice Machine Electric

230/50/1 ice machines are factory pre-wired with a 180cm (6') power cord only, no plug is supplied.  
 Maximum fuse size: Air-cooled: 10 amps.  
 HACR-type circuit breakers can be used in place of fuses.

#### Specifications

BTU Per Hour:  
2,300 (average)  
 Compressor:  
Nominal rating: 1/3 HP  
 Refrigerant: R290A

Operating Limits:

- Ambient Temperature Range: 10° -43° C (50° -110° F)
- Water Temperature Range: 3° -32° F (37° -90° F)
- Water Pressure Ice Maker Water In: Min. 1bar (14 psi) Max. 6bar (84 psi)

#### Ice Shape

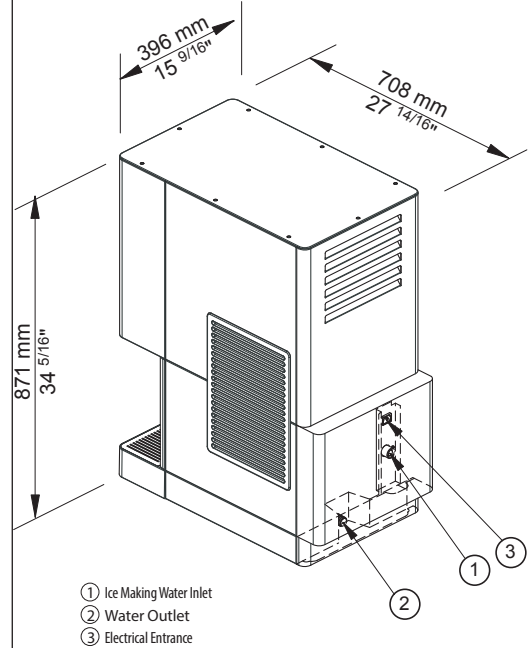
Nugget ice consists of small pieces ranging from 10mm to 12mm in width and length on average. Offers a 85% ice to water ratio with a softer, chewable texture while still providing maximum cooling effect and great dispensibility.



Model	Ice Shape	Ice Production 24 Hours		Power kWh/ 45.4 kgs @ 32°/21°F 90°/70°C
		21°Air/10°C Water 70°Air/50°F Water	32°Air/21°C Water 90°Air/70°C Water	
CNP0200A	Nugget	85 kgs	77 kgs	4.62
		195 lbs	170 lbs	
Water usage/45.4 kgs/100 lbs of Ice				
Potable Water: 45.4 liters, 12 gallons				

\*"A" following model number indicates "Air" condensing unit.

### CNP0200A



**MINIMUM INSTALLATION CLEARANCE –**  
Top: 24" (60.96 cm); Sides: 8" (20.32 cm); Back: 5" (12.7 cm); Bottom: 0" (0 cm).



### Space-Saving Designs

CNP0200	
Height	871mm 34.29"
Width	396mm 15.6"
Depth	708mm 27.87"
Bin Storage	5 kgs 11 lbs

Stand offers a solution when there is no counter space available for the CNP0200A unit.

Kit Number	W x D x H	Shipping Weight
K-00453	22.2 x 29.2 x 36"	100 lbs
	56.4 x 74.2 x 76.2 cm	50 kgs

\*Height includes 6" legs

### Push Button Dispensing

