

AR-7H

HOT HOLDING ROTISSERIE COMPANION



PASS-THROUGH
OPTION SHOWN



- HALO HEAT... a controlled, uniform heat source that gently surrounds foods for better appearance, taste, and longer holding life.
- Smart styling, advanced design.
- Adjustable thermostat and temperature gauge monitor inside air temperature.
- Solid state electronic control option simplifies temperature setting, has a clear, easy-to-read LED display, and is adjustable in increments of 1 degree.
- Stackable with an identical holding cabinet or matching rotisserie oven.
- Solid stainless steel back prevents further heat loss.

Reach-in companion holding cabinet with non-magnetic stainless steel construction throughout. The cabinet is controlled by one (1) ON/OFF power switch, one (1) adjustable thermostat, 60° to 200°F (16° to 93°C); includes one (1) indicator light; and one (1) holding temperature gauge to monitor inside air temperature. The compartment is equipped with four (4) 60 watt bulbs, four (4) stainless steel wire shelves, two (2) stainless steel side racks, and sixteen (16) non-tilt pan support rails spaced at 2-15/16" (75mm) centers. Low-e glass door and magnetic latch is hinged right, with one (1) rugged, easy-grip, curved handle. One (1) set of 5" (127mm) heavy duty casters—two (2) rigid and two (2) swivel with brake—are included.

Electronic control includes a 4-digit LED display, ON/OFF key, up and down arrow keys for temperature adjustment, and miscellaneous indicator lights for operational status. The control has a built-in lock out feature.

MODEL AR-7H: Hot Holding Rotisserie Companion

FACTORY INSTALLED OPTIONS



ANSI/NSF 4



- Electrical Choices
 - 120V
 - 208-240V
 - 230V
- Control Choices
 - Electronic
 - Manual
- Panel Color Choices
 - Stainless Steel, standard
 - Black, optional
 - Burgundy, optional
- Door Choices
 - Reach-in, solid back, standard
 - Single pane, flat glass door
 - Reach-in, solid back, standard
 - Double pane, curved glass door
 - Pass-through, optional
 - Single pane, flat glass door
 - Pass-through, optional
 - Double pane, curved glass door
- Door Swing Choices
 - Right-hand, standard
 - Left-hand, optional

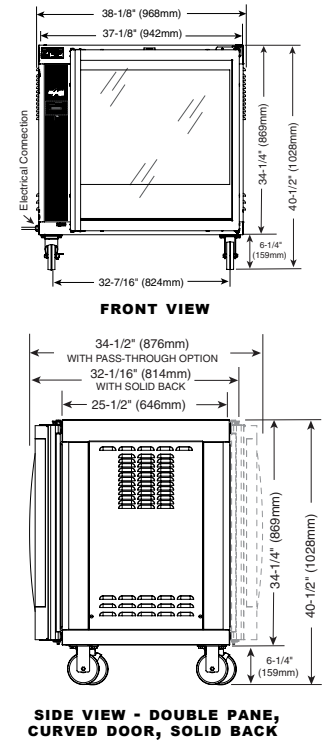
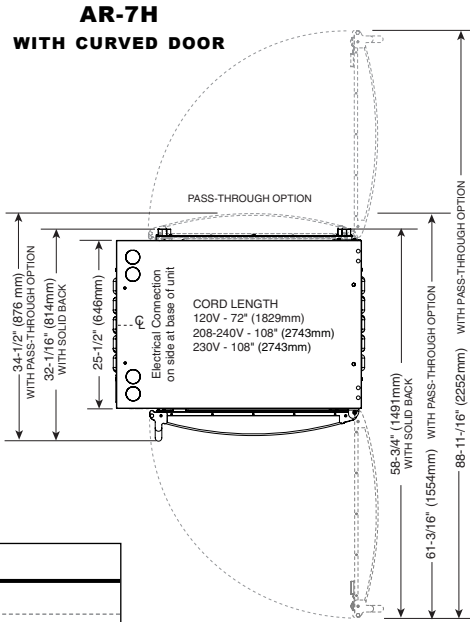
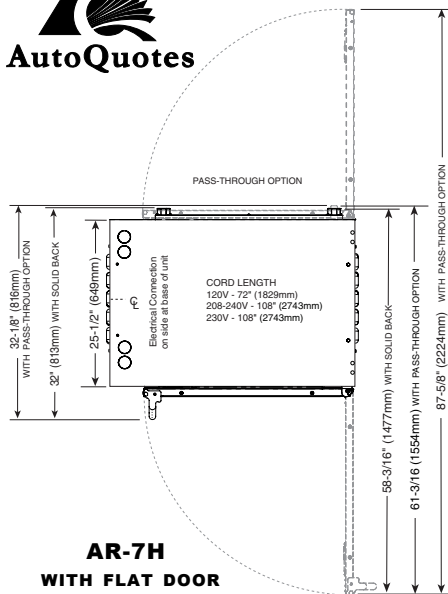


W164 N9221 Water Street • P.O. Box 450 • Menomonee Falls, Wisconsin 53052-0450 • U.S.A.

PHONE: 262.251.3800 800.558.8744 U.S.A./CANADA FAX: 262.251.7067 800.329.8744 U.S.A. ONLY

www.alto-shaam.com





PRODUCT/PAN CAPACITY	
60 lbs (27 kg) MAXIMUM	
FULL-SIZE SHEET PANS*: Eight (8) 18" x 26" x 1" (457mm x 660mm x 25mm)	
HALF-SIZE SHEET PANS*: Up to Sixteen (16) 18" x 13" x 1" (457mm x 330mm x 25mm)	
CHICKEN BOATS: Up to 24 (6 per shelf)	
*WITH ADDITIONAL WIRE SHELVES	

ELECTRICAL						
VOLTAGE	PHASE	CYCLE/HZ	AMPS	KW		
120	1	60	15.0	1.8	NEMA 5-20P 20A, 125V PLUG	
208	1	60	8.5	1.8	NEMA 6-15P	
240	1	60	9.5	2.3	15A, 250V PLUG	
230	1	50/60	9.0	2.1	CEE 7/7 PLUG RATED 250V CH2-16P PLUG RATED 250V	

WEIGHT: NET: 269 lb (122 kg) SHIP: 319 lb (145 kg)
CRATED DIMENSIONS: L X W X H 53" x 45" x 45" (1346mm x 1143mm x 1143mm)

DIMENSIONS: H x W x D	
SINGLE PANE, FLAT GLASS	
EXTERIOR: 40-1/2" x 38-1/8" x 32" (1028mm x 968mm x 813mm)	PASS-THROUGH EXTERIOR (OPTION): 40-1/2" x 38-1/8" x 32-1/8" (1028mm x 968mm x 816mm)
DOUBLE PANE, CURVED GLASS	
EXTERIOR: 40-1/2" x 38-1/8" x 32-1/16" (1028mm x 968mm x 814mm)	PASS-THROUGH EXTERIOR (OPTION): 40-1/2" x 38-1/8" x 34-1/2" (1028mm x 968mm x 876mm)
CLEARANCE REQUIREMENTS	
6" (152mm) left, right, and rear sides	
INSTALLATION REQUIREMENTS	
<ul style="list-style-type: none"> Appliance must be installed level. It must not be installed in any area where it may be affected by steam, grease, dripping water, high temperatures, or any other severely adverse conditions. In order to maintain NSF standards, models must be sealed at bottom for NSF approved sealant, equipped with casters, 4" (102mm) legs for counter models, or 6" (152mm) legs for floor models. 	

ACCESSORIES			
<input type="checkbox"/> DOOR HANDLE (NON-CONTROL SIDE)	HD-26900	STACKING ASSEMBLY	
LEGS		<input type="checkbox"/> AR-7H OVER AR-7H	5009711
<input type="checkbox"/> LEGS, 6" (152mm) ASSEMBLY	5001414	<input type="checkbox"/> AR-7E OR AR-7EVH (208-240V, 1PH) OVER AR-7H	5008787
<input type="checkbox"/> LEGS, 6" (152mm) ASSEMBLY, FLANGED FEET	5001761	<input type="checkbox"/> AR-7E OR AR-7EVH (208-240V, 3PH) OVER AR-7H	5008948
SHELF		<input type="checkbox"/> AR-7E OR AR-7EVH (380-415V) OVER AR-7H	5008922
<input type="checkbox"/> SHELF, CHROME PLATED WIRE	SH-2851	STAND, STAINLESS STEEL	
<input type="checkbox"/> SHELF, STAINLESS STEEL WIRE	SH-24720	<input type="checkbox"/> WITH STORAGE SHELF	FR-26550
		<input type="checkbox"/> OPEN (AR-7H OVER 750-S OR 6•10iNes)	5002058